



ATLAS

The Snack Food Bagmaker

High Performance

High Speed



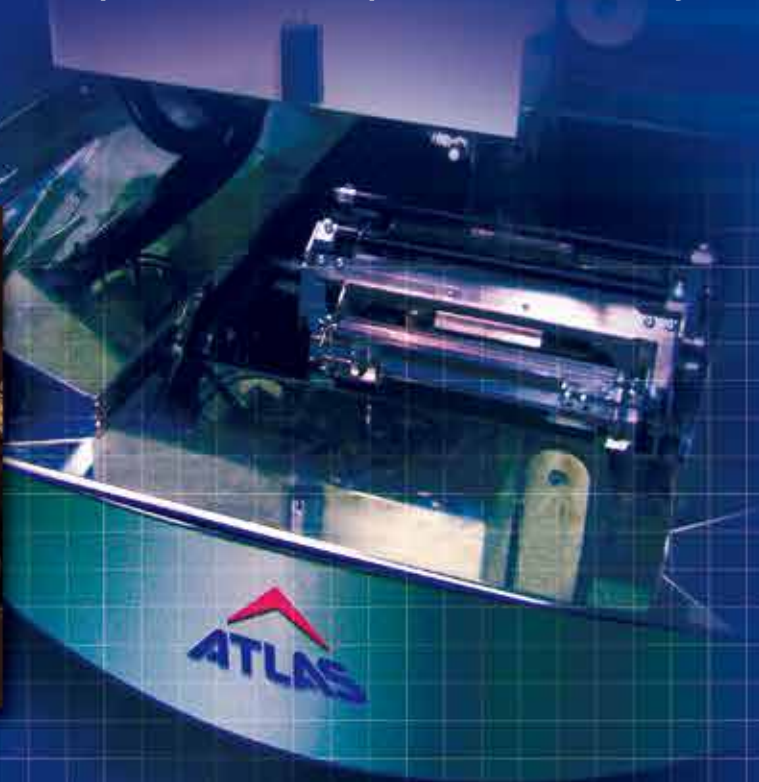
Speedy

250 **BPM**

Efficient Snack Food Packaging At Dramatically High Speeds

Ishida's ultra high-speed and reliable snack food bagmakers create quality bags, reduce product and film waste, and provide seamless integration with weighers and a wide range of ancillary packaging devices.

Atlas' innovative rotary jaw motion and superior control technology enable packaging speeds up to 250 bpm with unbeatable performance and production efficiency.



High-speed Rotary Jaw Motion

Ishida's exclusive sealing jaw design supports continuous motion packaging at 250 bpm with accurate film registration and tight bag seals.



Direct overmount configuration



Twin bagmaker configuration

High Throughput Efficiency

Designed under the ITPS Ishida Total Packaging System concept, Atlas bagmakers support integrated operation with Ishida multihead weighers, maximizing line capacity.

System integration is available in either a single scale/bagger direct overmount configuration or a twin configuration, enabling optimum weighing and packaging productivity in limited floor space.

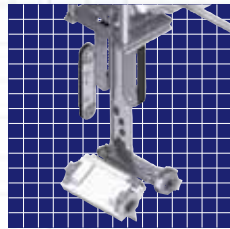


Reliable

High Productivity with Minimum Loss

Atlas bagmakers feature exclusive control technology in the sealing jaws and film feeding/product charging processes, maximizing productivity, and minimizing raw material waste, film loss, and downtime for film changes.

Sealing



Innovative seal unit creates tight seals

• Uniform backseals without wrinkles

The backseal unit with a hot steel belt runs synchronized to the film, creating quality vertical seals without wrinkles even during high-speed packaging. Backseals are instantly cooled by an air blower, creating secure seals even on overlaps with end seals.

• Tight seals on any film

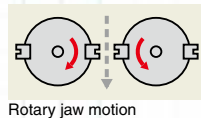
Pressure, temperature and sealing time can be easily set on the Remote Control Unit (RCU) to match the production speed and film characteristics, creating optimum seals for any film characteristics.

• Multiple jaw motion

The Atlas series has multiple types of jaw motion to meet various film characteristics.

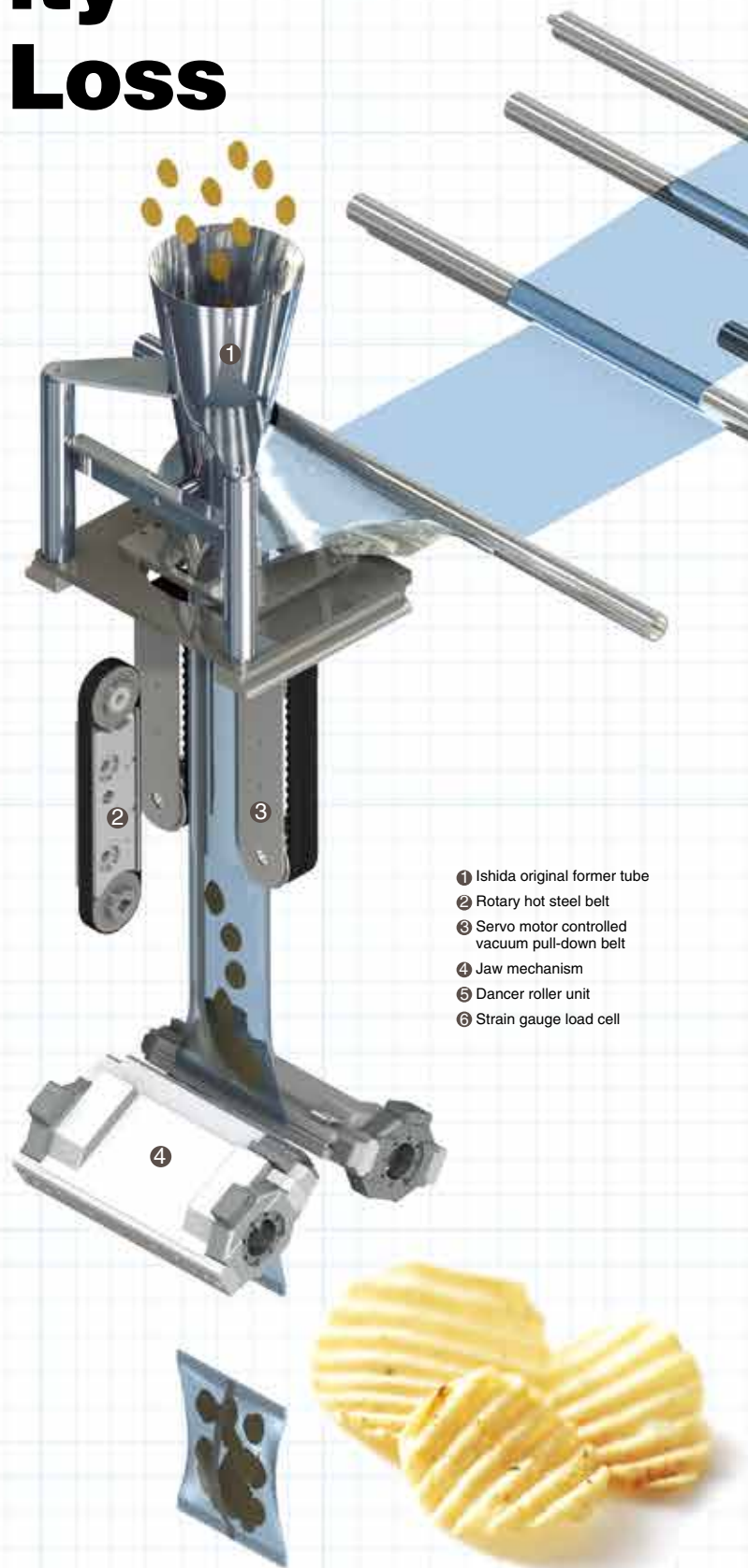
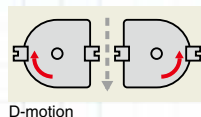
Rotary jaw motion (ATLAS-224(FC), 124(C), 114(C))

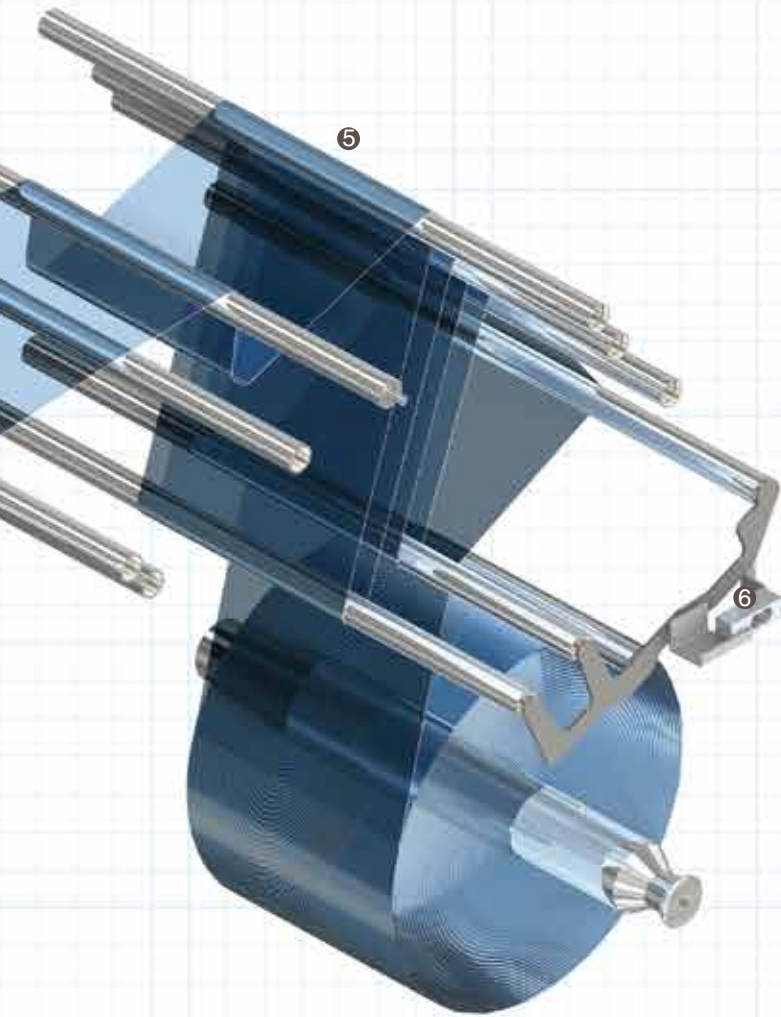
- Supports high-speed (250 bpm) packaging with continuous rotary jaw motion.
- Film is sealed by high pressure and an anvil knife, creating secure, airtight seals even for films with thin sealant layers.



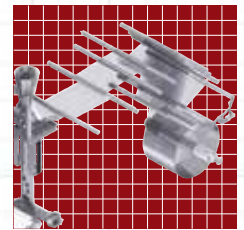
D-motion (ATLAS-204(FC), 234(FC))

- Insures a long seal time even at the highest packaging speeds, so even thick films are tightly sealed.
- The air fill volume can be adjusted to meet bag inflation specifications.





Film Feeding



Precise film feeding for high-speed packaging

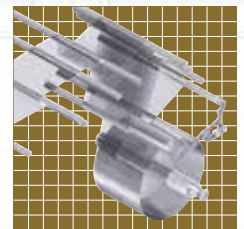
- **Load cell driven film tension control**

Ishida's unique load cell provides real-time detection of the load applied by the film to the dancer rolls. The load cell automatically controls the film feed rate to maintain constant film tension.

- **Pull-down belt**

A pull-down belt controlled by a servo motor holds the film securely, enabling precise film feeding even during high-speed operation.

Change-over



Quick changeover with minimum steps

- **Film Change**

- **Easy film splicing**

When the film needs to be changed, a splicing plate suctions and secures it, making splicing fast and easy.

- **Auto-splicer (option)**

Enables completely automatic film changes while the machine is running, further reducing downtime.

- **Changeover**

- **Automatic film centering**

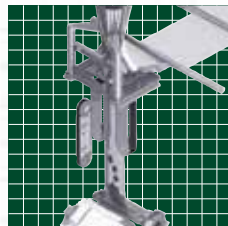
When you need to change product or bag size, just enter the bag width from the RCU to have the film roll centered automatically.

- **Bag length calculation**

A function that automatically calculates the bag length using the regmark sensor eliminates the need for manual bag length input.



Product Charge Control



Consistent product charge even during high-speed packaging

- **Ishida original stripping device**

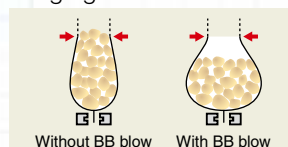
A stripping mechanism reliably strips any remaining product from the seal area, preventing product in the seals.

- **Original Ishida former shape**

Ishida has developed an original former shape and N₂ gas flushing system that prevent product from being blown upward and insure even product charging.

- **BB blow function**

Inflating the bags prevents product in the seal caused by unsettled product.



User-friendly Design and Easy Set-up

The Remote Control Unit (RCU) has intuitive, easy-to-use controls that make operation easy. The clear and easy-to-read screens prevent operator errors and simplify procedures, minimizing machinery downtime and maximizing production efficiency. The ITPS Ishida Total Packaging System design concept enables operation of all integrated devices from a single operation screen, making settings and preset operations easy to change.

Easy-to-Operate Remote Control Unit

The easily understood icons displayed on the RCU make it readily understandable and easy to operate even for inexperienced operators.

Product Image Registration

By registering and displaying product photos taken with the RCU's camera in preset screens, product packages can be checked at a glance during operation, preventing product selection errors.



Preset list screen



tabs

Minimum Keystroke / Touch Panel Operation

RCU screens can be changed by selecting their tabs, providing quick and easy access to the required page.



12.1-inch full-color graphical user interface

Standardized Ishida operation screens

Multilingual support

CF card data management and protection



CF (CompactFlash) cards enable easy data management and backups.

ITPS Ishida Total Packaging System

Ishida's Atlas bagmakers can be interfaced with a system containing a high-speed Ishida CCW multihead weigher, Ishida TSC seal checker, and Ishida DACS checkweigher. All equipment can be operated from a single unified operation screen, making it extremely easy to change settings and preset operations.

An option enables integrated system operations with metal detectors and printers.



ITPS monitor screen

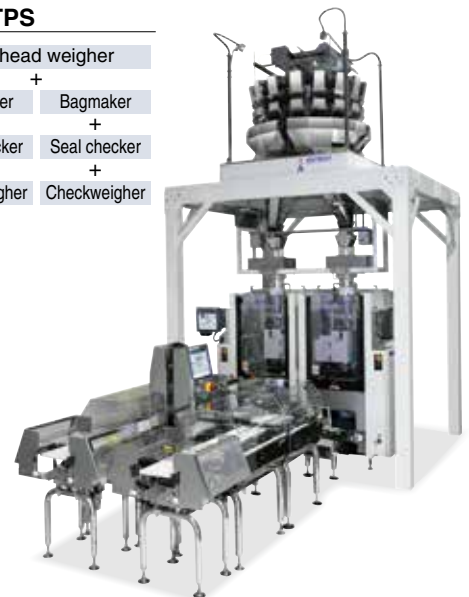
Direct-overmount ITPS

Multihead weigher
+
Bagmaker
+
Seal checker
+
Checkweigher



Twin ITPS

Multihead weigher
+
Bagmaker
+
Bagmaker
+
Seal checker
+
Seal checker
+
Checkweigher
+
Checkweigher



Versatile Packaging Solutions

Atlas bagmakers support a broad range of packaging line layouts to meet user needs for speed, packaging type and film material. Integrating Atlas bagmakers with Ishida multihead weighers optimizes packaging line performance and improves the packaging room environment.

Direct Overmount Configuration



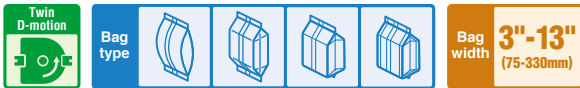
ATLAS-234

Medium-speed 125 bpm bagmaker for large bags



ATLAS-204

High-speed 200 bpm bagmaker for a wide range of bag types



ATLAS-224

High-speed 200 bpm bagmaker for large bags



ATLAS-124

Ultra high-speed 250 bpm bagmaker for small bags



Twin Bagmaker Configuration



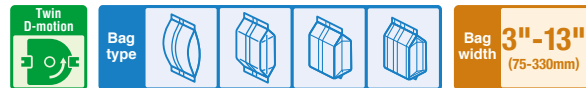
ATLAS-234FC

Medium-speed 125 bpm bagmaker with FC (Frame Cut) frame



ATLAS-204FC

High-speed 200 bpm bagmaker with FC (Frame Cut) frame



ATLAS-224FC

High-speed 200 bpm bagmaker with FC (Frame Cut) frame



ATLAS-124C

Ultra high-speed 250 bpm bagmaker with compact frame



ATLAS-114C

Medium-speed 125 bpm bagmaker with compact frame



Specification

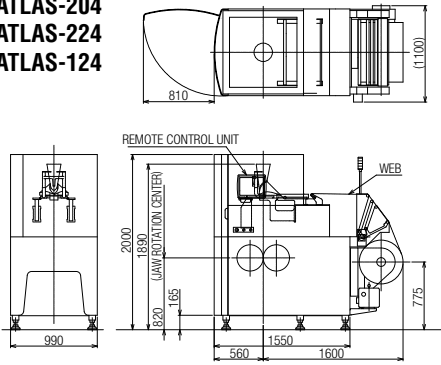
Model Name	ATLAS-234(FC)	ATLAS-204(FC)	ATLAS-224(FC)	ATLAS-124(C)	ATLAS-114C
Running Speed*	up to 125BPM	up to 200BPM		up to 250BPM	up to 125BPM
Bag Size	Width	3"-13" (75-330mm)		3"-9" (75-230mm)	
	Length	5"-28" (127-711mm)		3"-21" (75-533mm)	
Film Size	Max. roll width	27" (685.8mm)		19" (483mm)	
	Bore of film roll core	3" (76.2mm)			
Product	Snack foods such as potato chips, corn chips, tortilla chips				
Film Feeding Motion	Continuous/Intermittent			Continuous	
Machine Size	Width	990mm		990mm	
	Height	2000mm (1780mm for FC - floor to top of mainbody frame)		2000mm (1825mm for C)	1825mm
	Length	2160mm(2100mm for FC)		2160mm (1780mm for C)	1780mm
Power Supply	Power voltage**	3 phase AC200V-208V 50/60Hz 3 phase AC220V-480V (Built-in Transformers)			
	Allowable voltage fluctuation	+/-10%			
Air Supply	0.5-1MPa (5.1-10.2kgf/cm ²) 60Nℓ/min.				
Net Weight	1450kg (1400kg for FC)		1300kg (1200kg for C)	1200kg	
Operational Temperature	32-104°F(0-40°) RH30-70% non-condensing				
Options	Splicing plate film knife kit, Product poker, Banner attachment device, Zig-zag cut, Hole-punch				

*Maximum running speed is subject to change depending upon the product, product volume, packaging material and in-feed condition of the product.

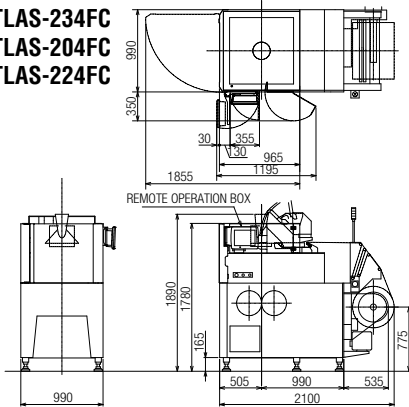
**Other power supply available upon consultation

Dimensions (mm)

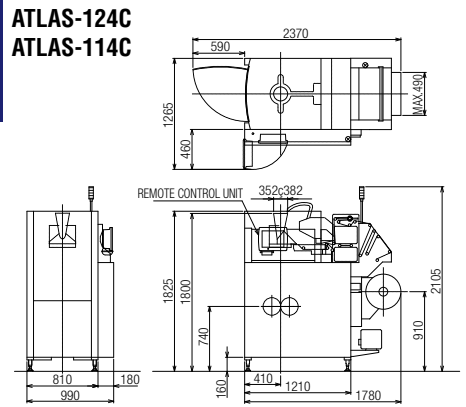
ATLAS-234
ATLAS-204
ATLAS-224
ATLAS-124



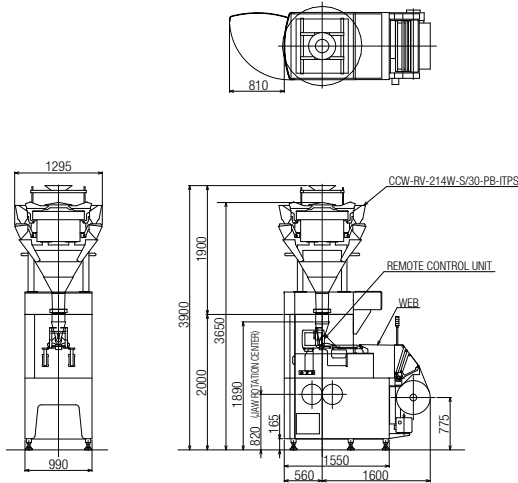
ATLAS-234FC
ATLAS-204FC
ATLAS-224FC



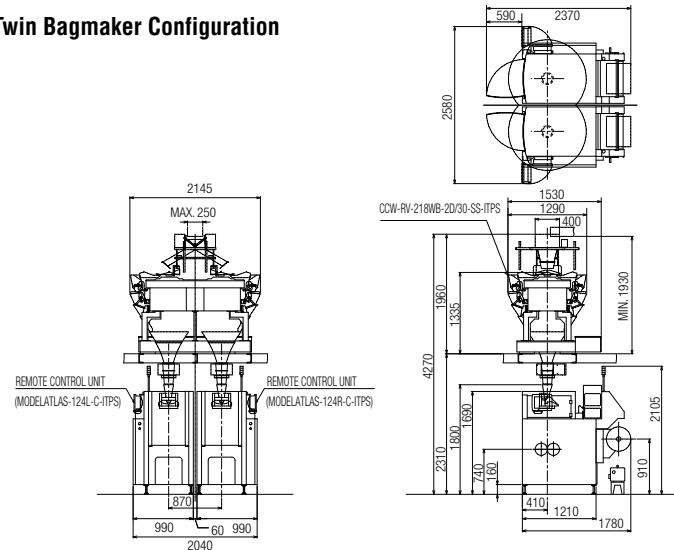
ATLAS-124C
ATLAS-114C



Direct Overmount Configuration



Twin Bagmaker Configuration



Specifications and design are subject to change without notice.



ISHIDA CO., LTD. www.ishida.com

44 Shogoin Sannocho, Sakyo-ku,
Kyoto, 606-8392, Japan
Tel: +81 (0)75 751 1618 Fax: +81 (0)75 751 1634



HEAT AND CONTROL, INC. www.heatandcontrol.com

21121 CABOT BLVD. HAYWARD, CA 94545-1132 USA
Phone : 1(800)227-5980 1(510)259-0500 Facsimile :1(510)259-0600
info@heatandcontrol.com